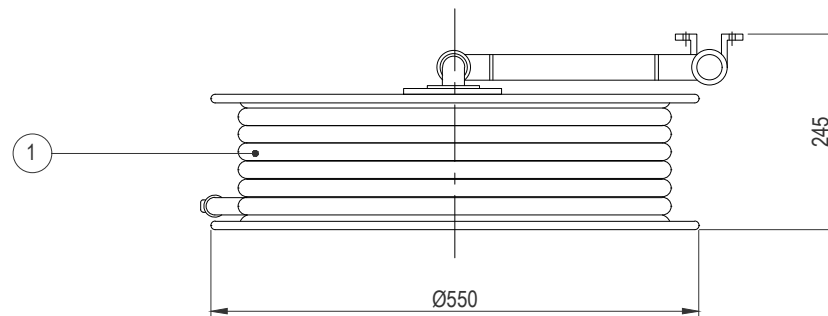
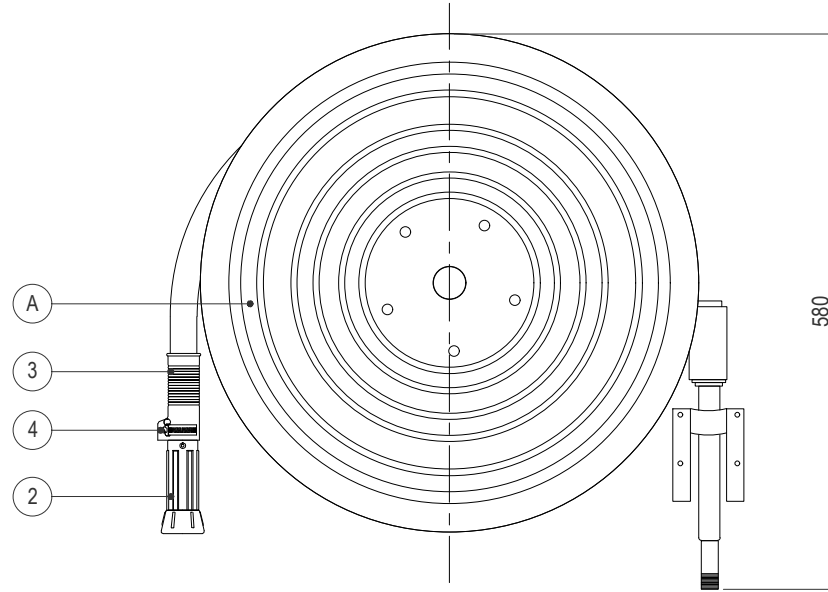


**FIRE HOSE REEL - AUTOMATIC, SWINGING PIPE TYPE**  
**WALL MOUNTED, MODEL: 19 NFH - 030A/SS**



**NOTES :-**

1. ALL DIMENSIONS ARE IN mm. UNLESS OTHERWISE SPECIFIED
2. HOSE REEL ASSEMBLY COMPLIANCE TO CPR DIRECTIVE 305/2011/EU IS CERTIFIED BY BSI (0086)..
3. THE NOZZLE HAVE SHUT, JET AND SPRAY CONTROL SETTINGS
4. THE MINIMUM FLOW RATE OF HOSE REELS IN JET AND SPRAY SETTING IS 41 LPM AT 6 BAR PRESSURE



**BILL OF MATERIALS**

ITEM NO.	DESCRIPTION	MATERIAL	QTY.
1.	HOSE 3/4"x30 M LG.	PVC COMPOUND	1
2.	WATER BRANCH - 3/4"	PA, RED INJECTION MODULED	1
3.	HOSE HANDLE	HDPE, BLACK	1
4.	HOSE CLAMP	STAINLESS STEEL	3
A	HOSE REEL ASSY.	-----	1

**SPECIFICATIONS:-**

WORKING, TEST AND MINIMUM BURST PRESSURE OF HOSE REEL			
NOMINAL DIA. OF HOSE MM	WORKING PRESSURE (MPA)	TEST PRESSURE (MPA)	MIN. BURST PRESSURE (MPA)
19	1.2	1.8	3.0

MANUFACTURING STANDARD : EN 671-1 : 2012